

DTP13E -	
Created:	23/10/2013
Modified:	14/11/2016
Issue	C

Cat. No. **2010**
Name: **Electric hot air welding tool**

Product: Electric hot air welding tool
Job: Roofing - Shrinking
Energy: Electricity

Technical data

Nominal supply voltage: 120 or 230 V
Power: Type 2010 - 120 V 1650 W - 230 V 1500 W
Protection rating: II / (double insulation)
Heating temperature: 700° C / 1292° F
Frequency response: 50 - 60 Hz
Noise emission level: < 70 dB
Power cord: 3 metres
Weight: 1.4 kg with cable

Pictures



Areas of application

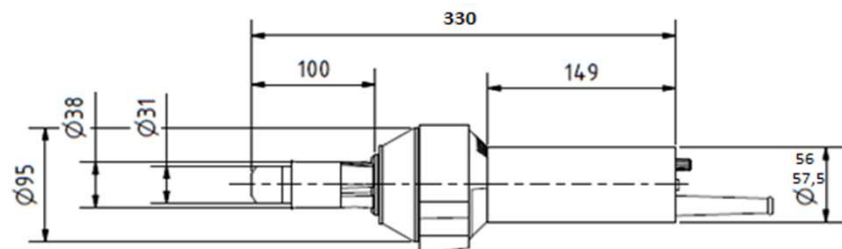
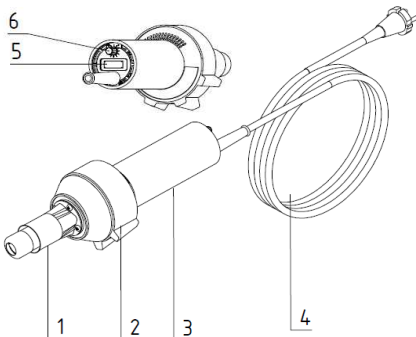
- Welding of thermoplastic plastic materials
- Shrinking of heat-shrink sleeves and packaging films
- Heating to deform semi-finished thermoplastic products
- Drying of damp surfaces
- Thawing of frozen water pipes
- Removal of shellac and artificial-resin paints
- Activation and loosening of solvent-free adhesives and hot-melt adhesives
- Industrial application
- All types of drying and heating processes
- Activation and loosening of solvent-free adhesives and hot-melt adhesives
- Shrinking and welding of packaging films and castings
- Separation and fusing of synthetic yarns and fabrics
- Sterilisation of packaging materials
- Removal of burrs from plastics injection-moulding machines and polishing of plastic surfaces

Elements

1. Heating element tube
2. Rubber support
3. Handle
4. Mains connection line
5. Mains switch
6. Temperature setting potentiometer

Accessories

- Cat. No. 20101: 20-mm flat nozzle
Cat. No. 20102: 40-mm flat nozzle
Cat. No. 20103: 20-mm flat elbow-nozzle
Cat. No. 20104: 40-mm flat elbow-nozzle
Cat. No. 45031: welding tester



IMPORTANT: Consult the user manual before use